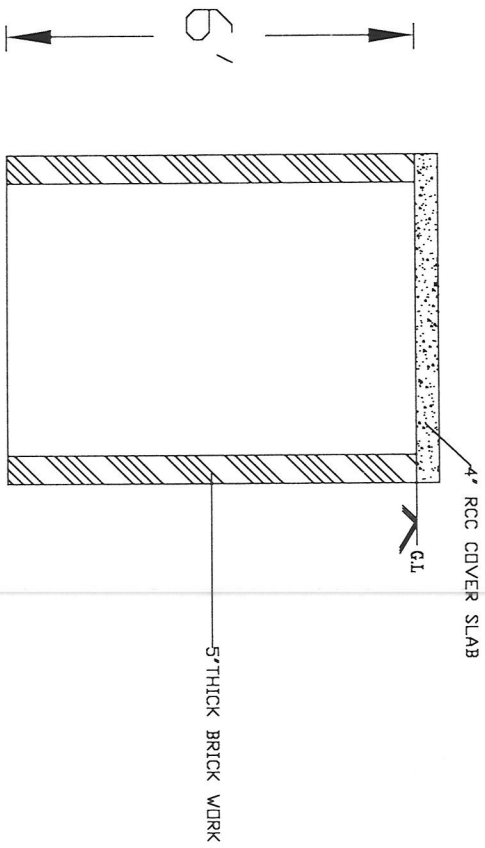


4'-10"

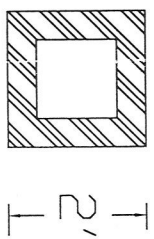
PLAN



4'-10"

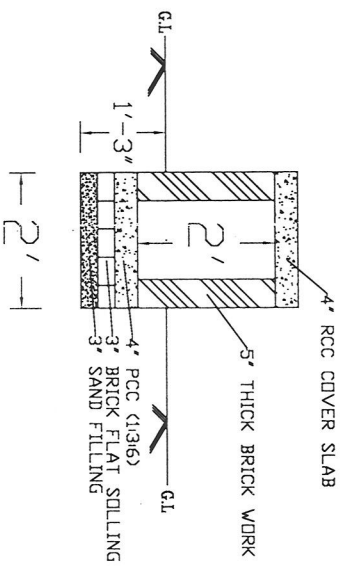
CROSS SECTION

SOAK PIT



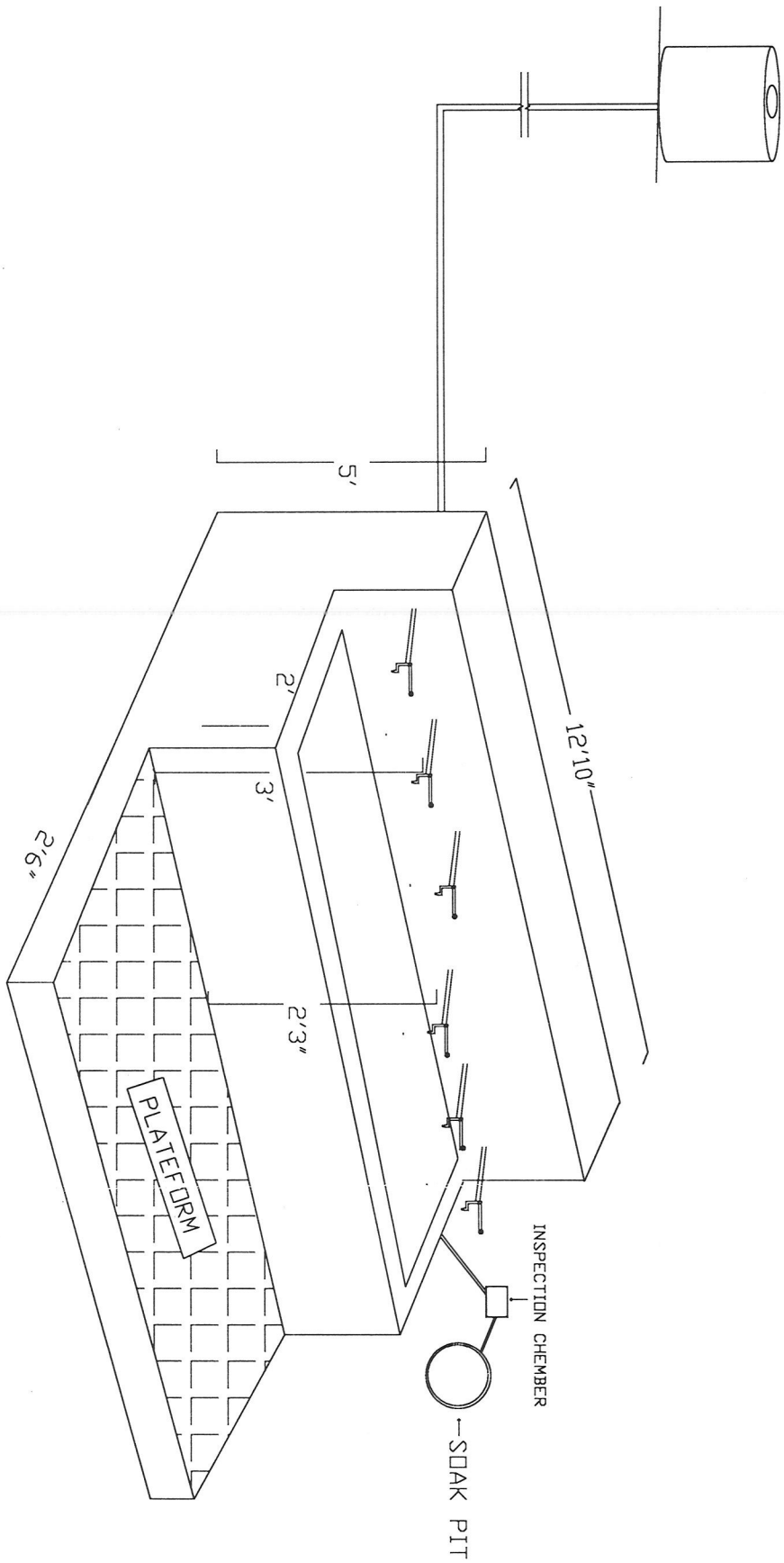
2'-1"

PLAN



CROSS SECTION

INSPECTION CHAMBER



HAND WASHING STATION